

# IT RACK ROOF AC FAN UNIT

## OVERVIEW

The IT rack roof fan units are used to draw air upwards through the cabinet and help to move heat out of a rack. For instance, if there is no equipment at the top of IT rack, such area can become hot spot due to low circulation. This is where you would place the fan units to get air moving out of the IT rack and stop excess heat. .

When adding fans to cabinet, be sure to use blanking panels for any gaps to maximize airflow.

## FEATURES

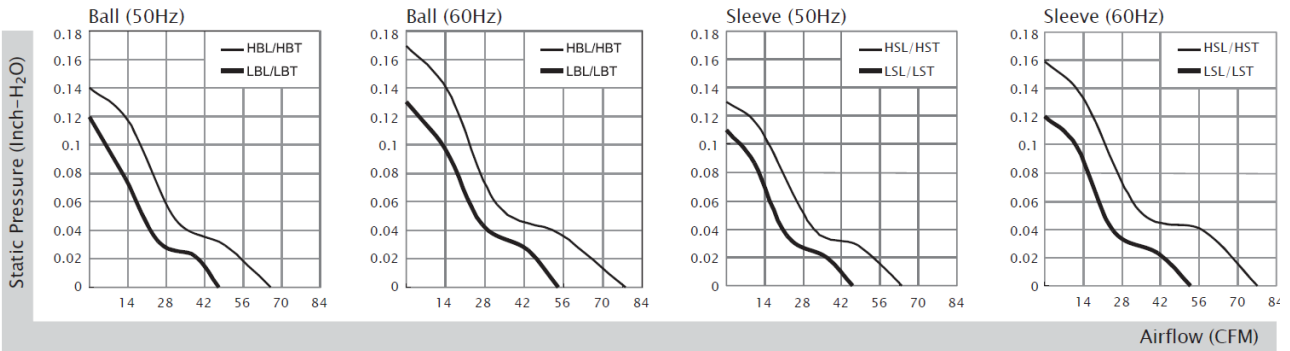
- Increase airflow in your server rack or cabinet to extend equipment life
- Standard AC Power connection
- Direct maximum airflow to your rackmount equipment
- Fan units designed for standard 19" racks, to be mounted on the roof or to replace existing fans.
- Frame of Single Fan Unit: Aluminium alloy
- Fan Tray: Metal
- Single Fan unit dimensions (mm): 120x120x25mm
- Available with options for 2 or 4 fans units tray.



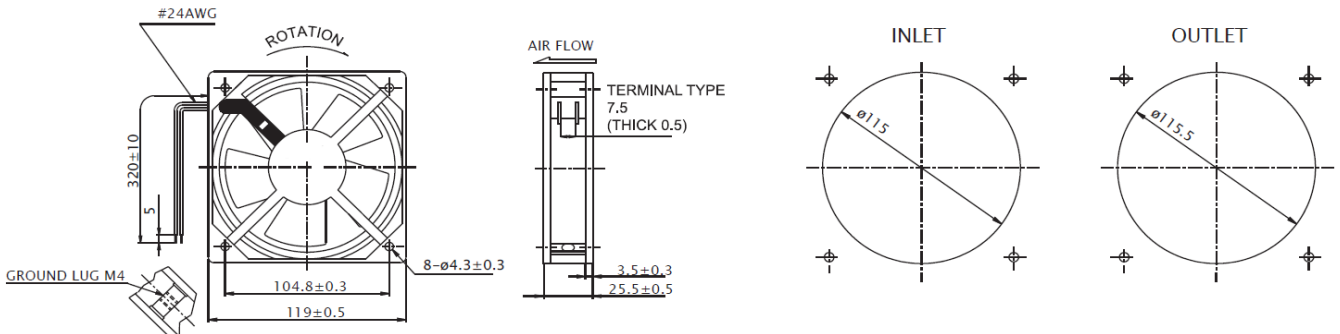
## SPECIFICATIONS OF SINGLE FAN UNIT

PN. (for fan unit only)	Rating Voltage (VAC)	Freq. (HZ)	Power Current (AMP)	Power Consumption (WATTS)	Speed (RPM)	Air Flow (CFM)	Static Pressure (Inch-H2O)	Noise (db(A))	Weight (g)
LXRDP201AT-2122HBL.GN	220/240	50/60	0.09/0.09	18/16.5	2150/2500	66/80	0.14/0.17	44/48	295

### □ Air Flow-Static Pressure Characteristics For a Single Fan Unit



### □ Single Fan Unit Dimensions (mm)



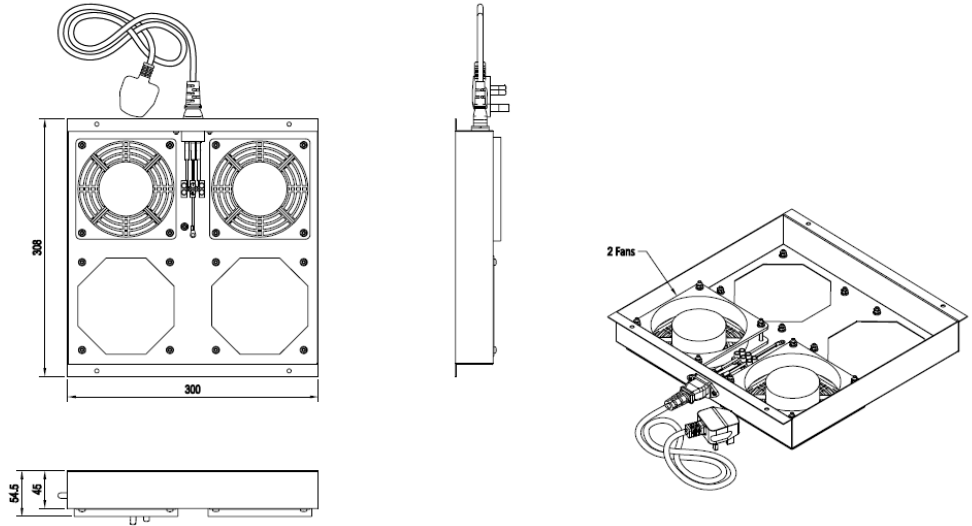
The information and specification in this document are subjected to change without notice



# IT RACK ROOF AC FAN UNIT

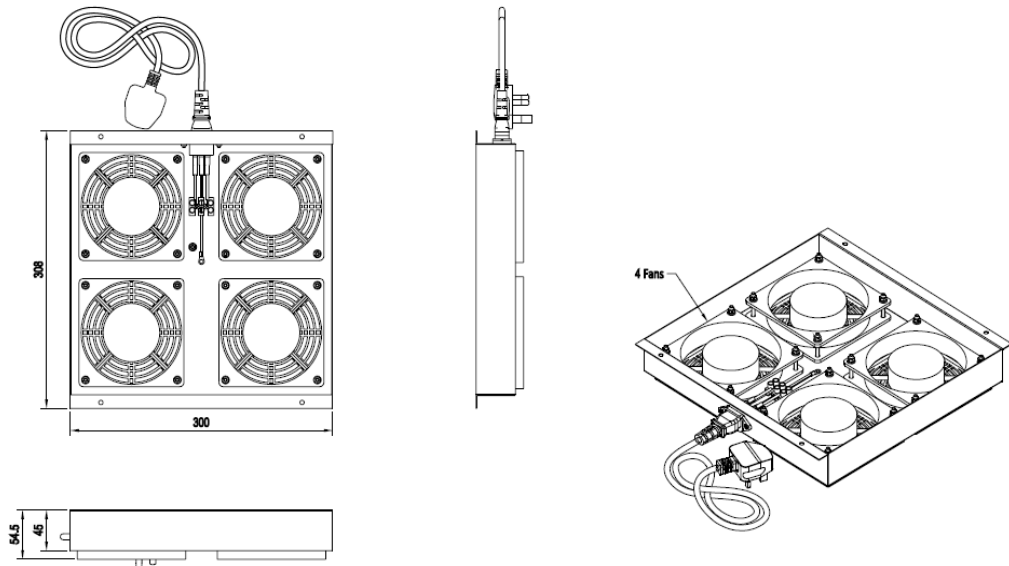
## □ Fan Tray with 2 fans units

- PN: 2FAN-TRAY
- Air Flow (CFM): 132/160



## □ Fan Tray with 4 fans units

- PN: 4FAN-TRAY
- Air Flow (CFM): 264 /320



The information and specification in this document are subjected to change without notice

