

INLET AIR DUCT FOR CISCO NEXUS 2000 SERIES

INTRODUCTION

Lux Rack offers the passive Inlet Air Duct that specific for CISCO NEXUS 2000 series' switches to improve the thermal performance by intake the air from the front of racks (cold aisle) to rear of racks (hot aisle), which help to provide adequate separation of hot and cold aisles and resulting in reduced energy costs.

INLET AIR DUCT

Lux Rack's passive Inlet Air Ducts are the economical energy saving solution in the data centers and server rooms. The inlet air duct is installed inside the rack and in modular design which including two main parts (front and rear sections). The modular design allows to access the fans or power supply during maintenance that without disrupting the operation and existing cabling inside the racks.

We offer two models of Inlet Air Ducts that the front sections of module are in different of depth sizes which allow to fit in different size of server and network rack and providing more cable management flexibility.

FEATURES

- Module design with depth in two sizes
- Increases energy efficiency
- Passive solution and environmentally friendly
- Easy maintenance

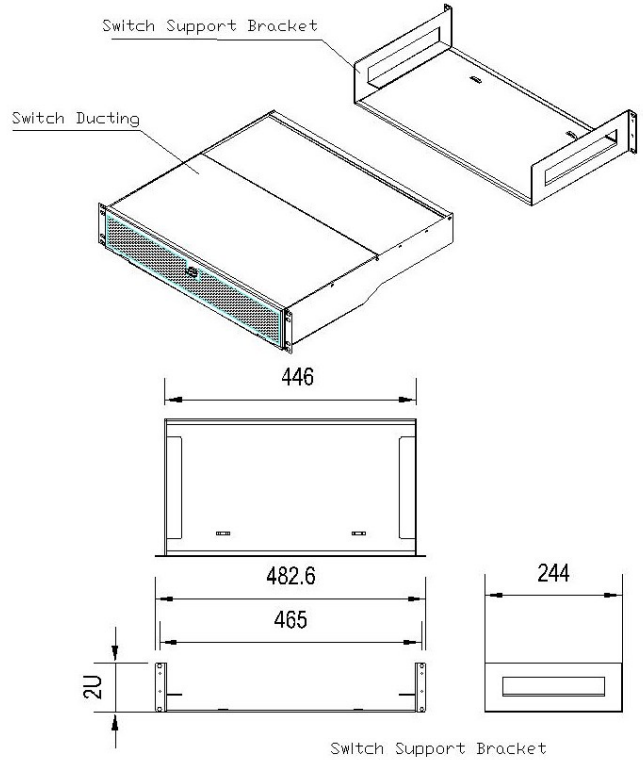
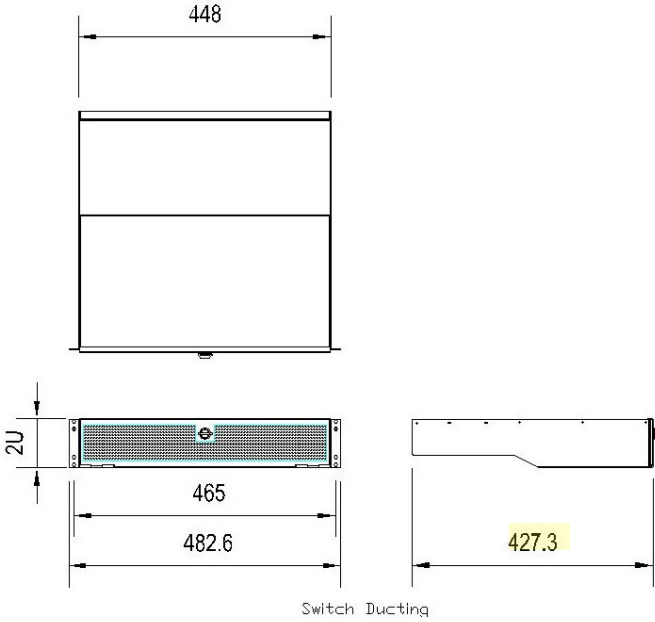


SPECIFICATIONS

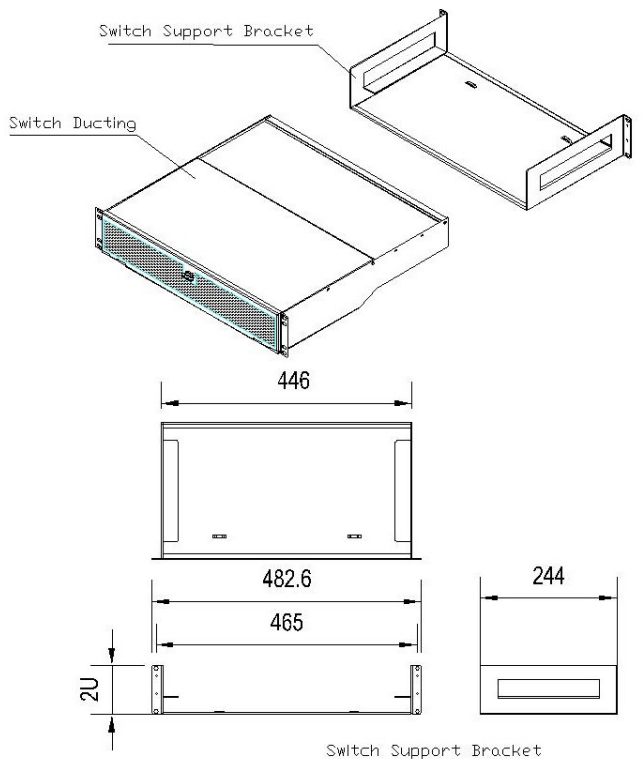
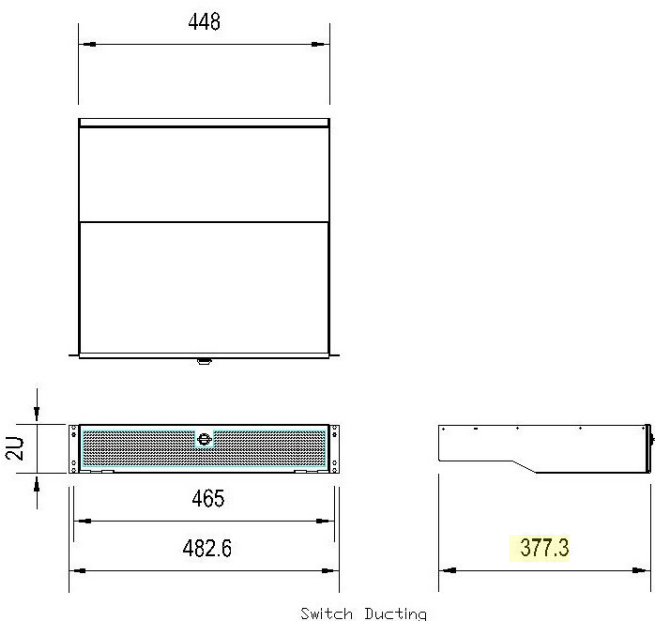
Product Type:	Inlet Air Duct for CISCO NEXUS 2000 Series
Application:	Data Center / Server Room
Material:	SPCC 2.0
Color:	Black
Dimension:	Various height and width; 2mm thickness. (Call for details)
Product Number:	CM-MGS-CN2S (Extended 2" Version) CM-MGS-CNM (Standard Version)



Part Number :CM-MGS-CN2S (Extended Version)
 Description: Extra 2 inches depth (427.3mm D)



Part Number: CM-MGS-CNM (Standard Version)
 Description: Standard depth (377.3mm D)



All information and specifications are subject to change without notice.

